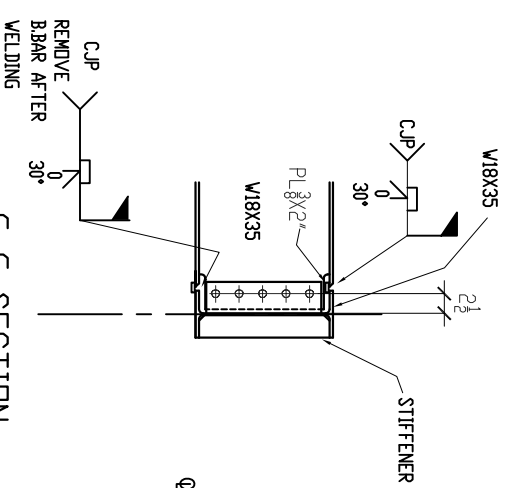
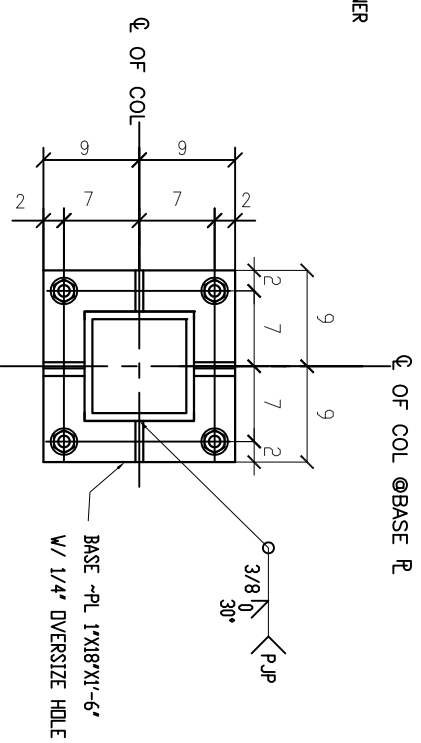


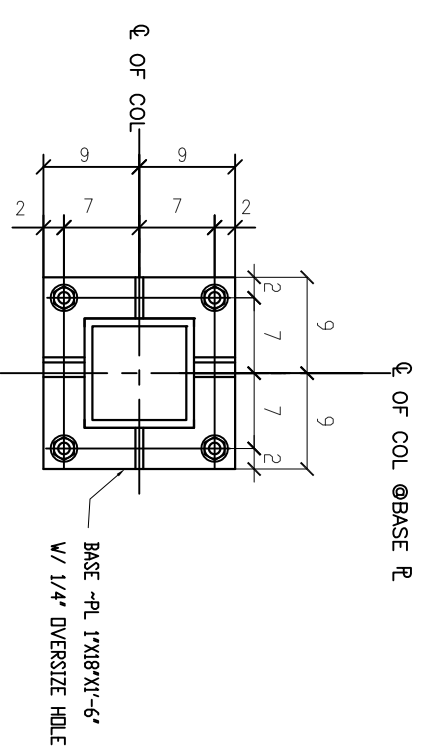
A-A SECTION



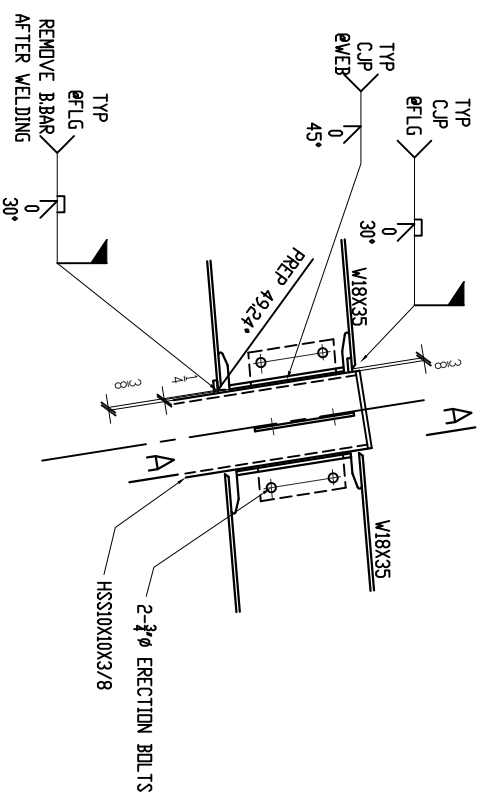
G-G SECTION



D-D SECTION

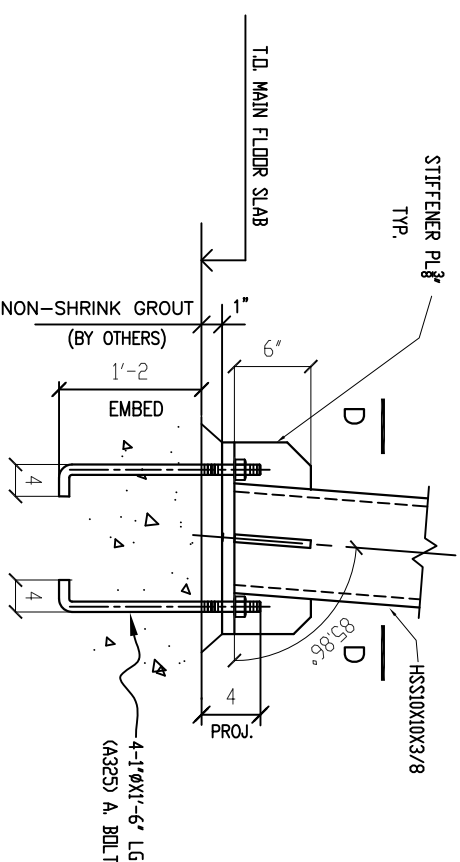


E-E SECTION



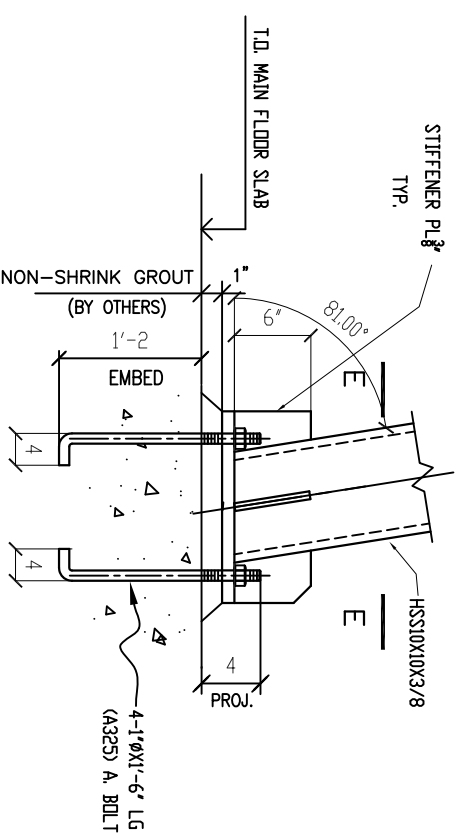
① DETAIL

TYP MOMENT CONN. @ MAIN FRAME



② DETAIL

4-PLACES



③ DETAIL

4-PLACES

PLEASE VERIFY ALL CLOUDED AREAS

CLOUDED AREAS NOT ANSWERED SHALL BE CONSIDERED CORRECT AS SHOWN OR IN SPEC

REV	D	Issue for Approval	11/30/09
PROJECT NAME	BELAIR FABRICATION LTD		DATE
DESCRIPTION	STEELHEAD INDUSTRIES LTD		
DRAWN BY	LC		
DATE DRAWN	12/03/2009		
PROJECT NAME	HOLIDAY INN	ADDRESS	39400 DISCOVERY WAY, SQUAMISH, B.C.
DESCRIPTION	CANOPY CONNECTION DETAIL		
DRAWN BY	LC	JOB No.	PRO:#518
DATE DRAWN	12/03/2009	DWG No.	E3

BELAIR FABRICATION LTD
 TEL: (604) 924-0845 FAX: (604) 924-0846
 STEELHEAD INDUSTRIES LTD
 TEL: (604) 980-3031 FAX: (604) 980-3031

P&C
 Detailing Inc.
 1687 Columbia Street, North Vancouver, BC V7J 1A5
 Phone: (604) 924-0049 Fax: (604) 924-0846