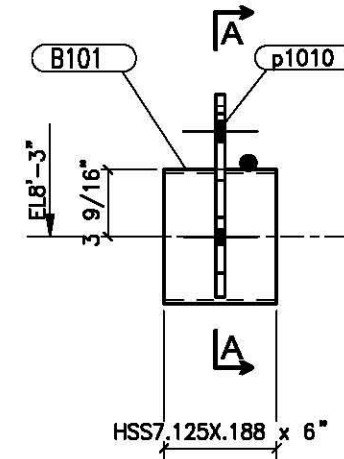
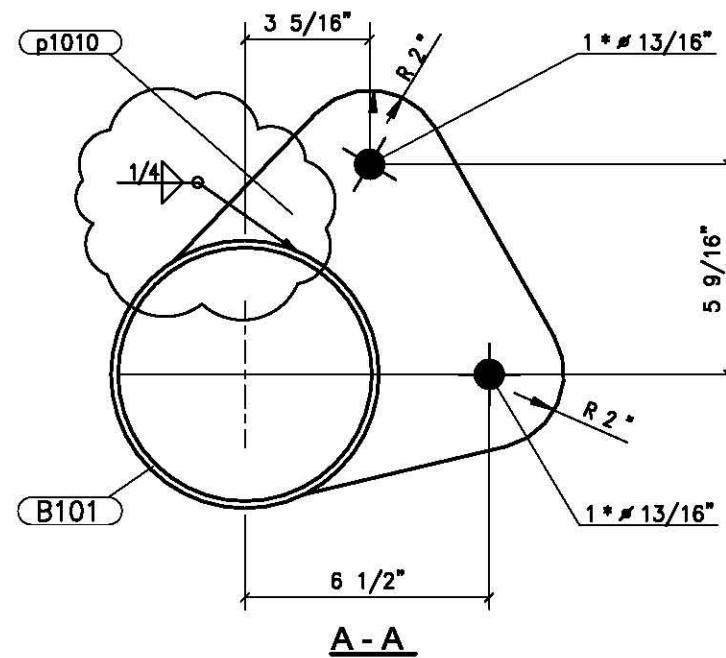
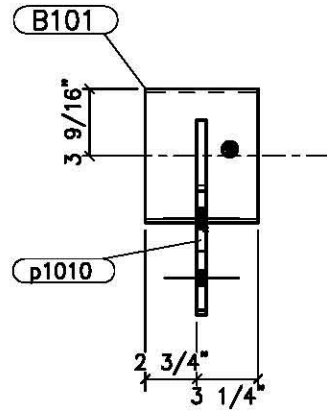


LOCATION				
Mark	Quant.	T.O.S.	Grid ref.	Area
B101	1	8'-6"9/16	X/<1	254.9
B101	1	8'-6"9/16	Y/<1	254.9

BILL OF MATERIAL								
ASSEMBLY MARK	SHIPPING MARK	ASSY MARK	No. REQ'D	DESCRIPTION	LENGTH	GRADE	WEIGHT	REMARKS
B101			2					
		B101	1	HSS7.125X.188	0'-6"	A53	6.9	GR.B
		p1010	1	PL 1/2" X 7/8"	0'-10 3/8"	300W	11.6	
TOTAL=							18.5	

BOLT SUMMARY - QTY'S ARE FOR ONE ASSEMBLY ONLY						
Assembly	No	Diam	Length	Workshop/Site	Grade	Remarks
B101	2	3/4"	3 15/16"	Site	A325	



2 BEAM (s) MARK: B101

D | 11 1/8" x
W | 12 1/16" x

PLEASE VERIFY ALL CLOUDED AREAS AND BOXED DIMENSIONS

CLOUDED AREAS NOT ANSWER SHALL BE CONSIDERED CORRECT AS WRITTEN OR SHOWN

	NO BACK CHARGES WILL BE ACCEPTED WITHOUT PRIOR AUTHORIZATION IN WRITING
SHOP PAINT: B101	
NOTE:	

BELAIR FABRICATION LTD. 1667 COLUMBIA STREET NORTH VANCOUVER, B.C. V7J 1A5 TEL: (604) 924-0845 FAX: (604) 924-0846		 TEL: (604) 924-0049 FAX: (604) 924-0846	
JOB NAME & LOCATION: BUSINESS OBJECTS 910 MAINLAND STREET, VANCOUVER, B.C.		ARCH: OMICRON ARCHITECTURE ENGINEERING CONSTRUCTION LTD. ENGR: CONTR: HALSE MARTIN CONSTRUCTION	
REF: DRAWN BY: WX JULY 10/2007 SHEET TITLE: BEAM		CHECKED BY: FX JULY 10/2007 JOB NO. 1006261 DWG. NO. B101	

MATERIAL: 300W U.N.O.	SURF. PREP:
BOLT: A325 U.N.O.	WELD: LEG SIZE
HOLE SIZE: 13/16 Ø U.N.O.	ELECTRODE: